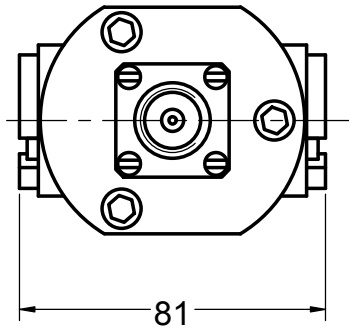
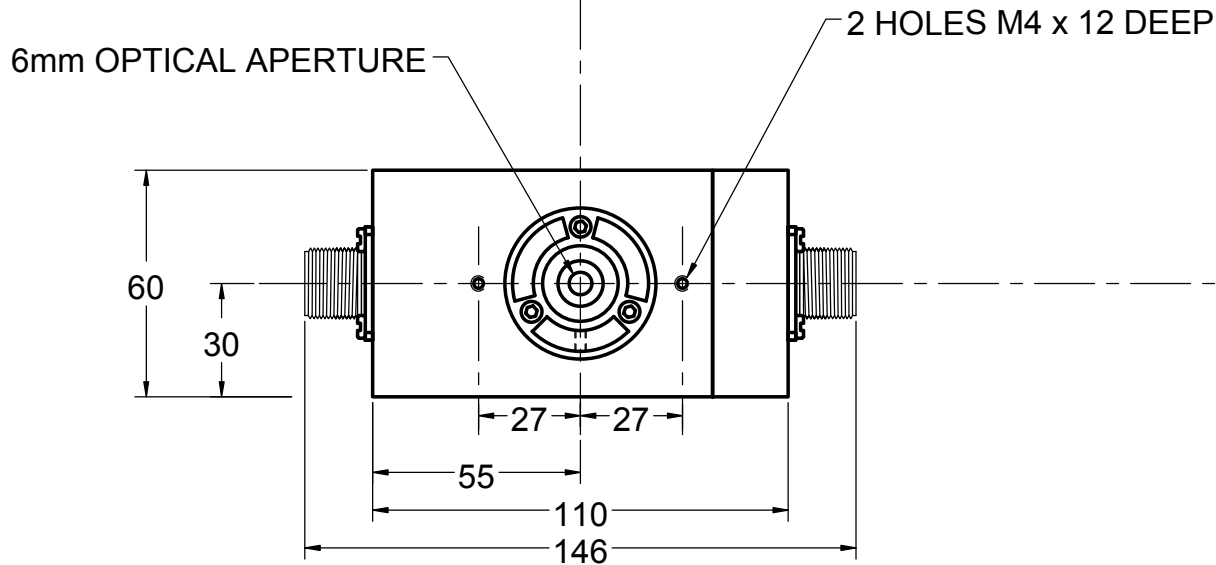
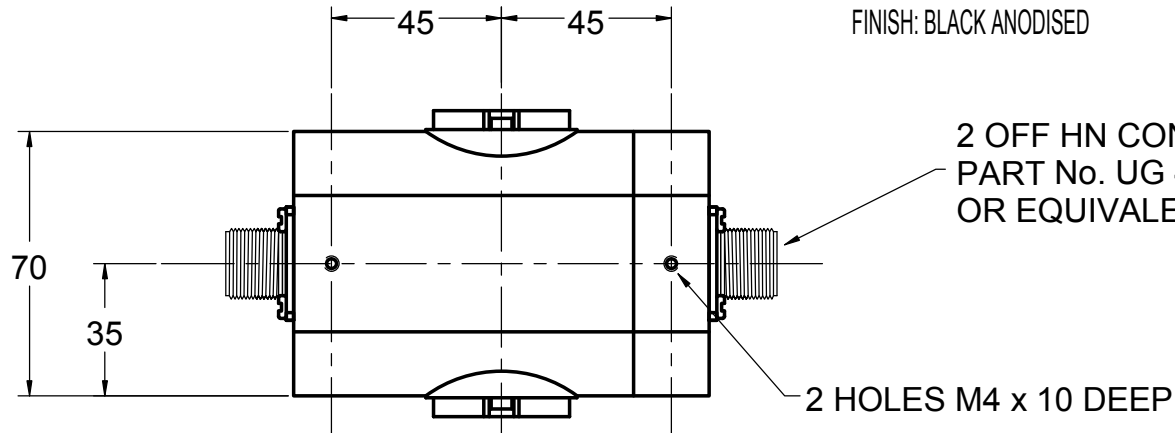


CASING MATERIAL: AEROSPACE GRADE ALUMINIUM ALLOY
 FINISH: BLACK ANODISED



LEYSOP

ULTRA FAST POCKELS CELL (UPC)
 INTERFACE DIAGRAM

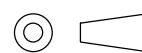
Scale
 1:2

Drawn
 S. PAYNE

Approved
 P. FRANKS

Issue
 2

Date
 16/04/12



Drawing No.
 82

Dims.
 mm

Tolerances Unless
 Otherwise Stated ±0.1