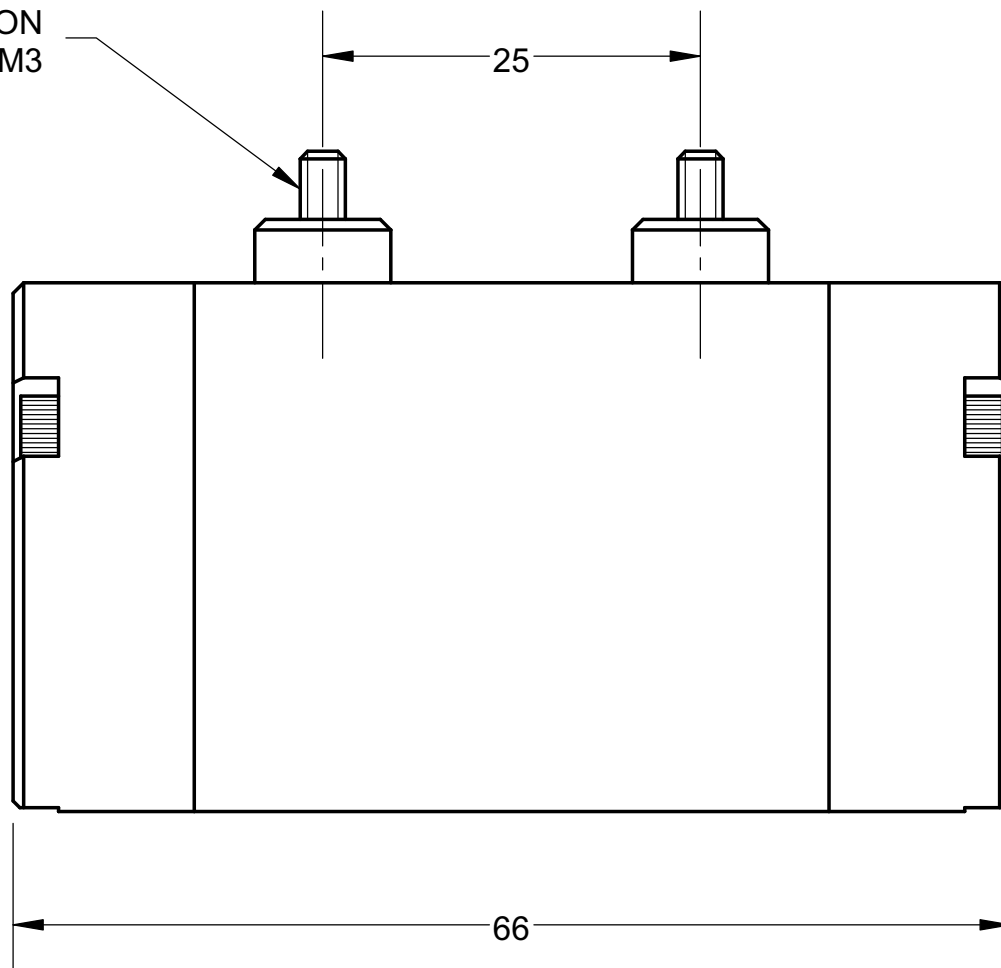
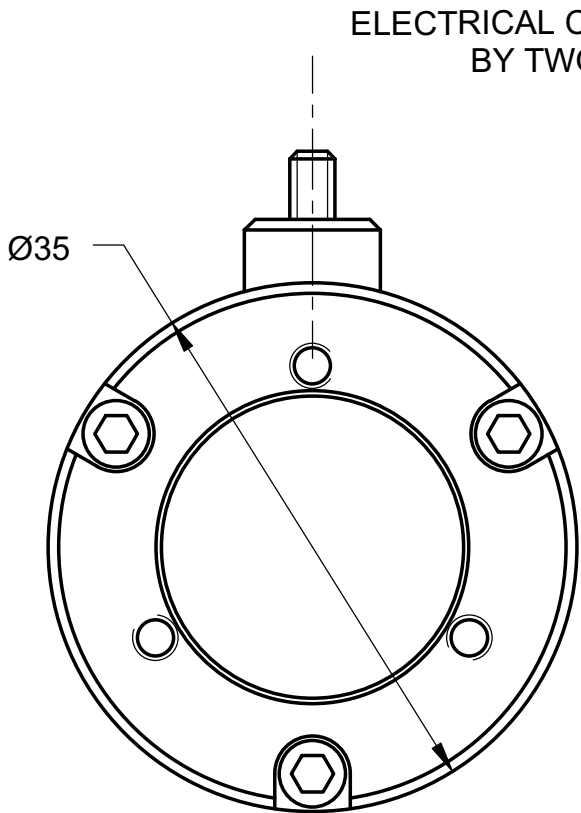


ELECTRICAL CONNECTION
BY TWO STUDS, M3

Ø35



LEYSOP

EM520M INTERFACE
STUD VERSION

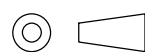
Scale
2:1

Drawn

Approved

Issue
2

Date
02/07/10



Drawing No.
328

Dims.
mm

Tolerances Unless
Otherwise Stated ±0.1