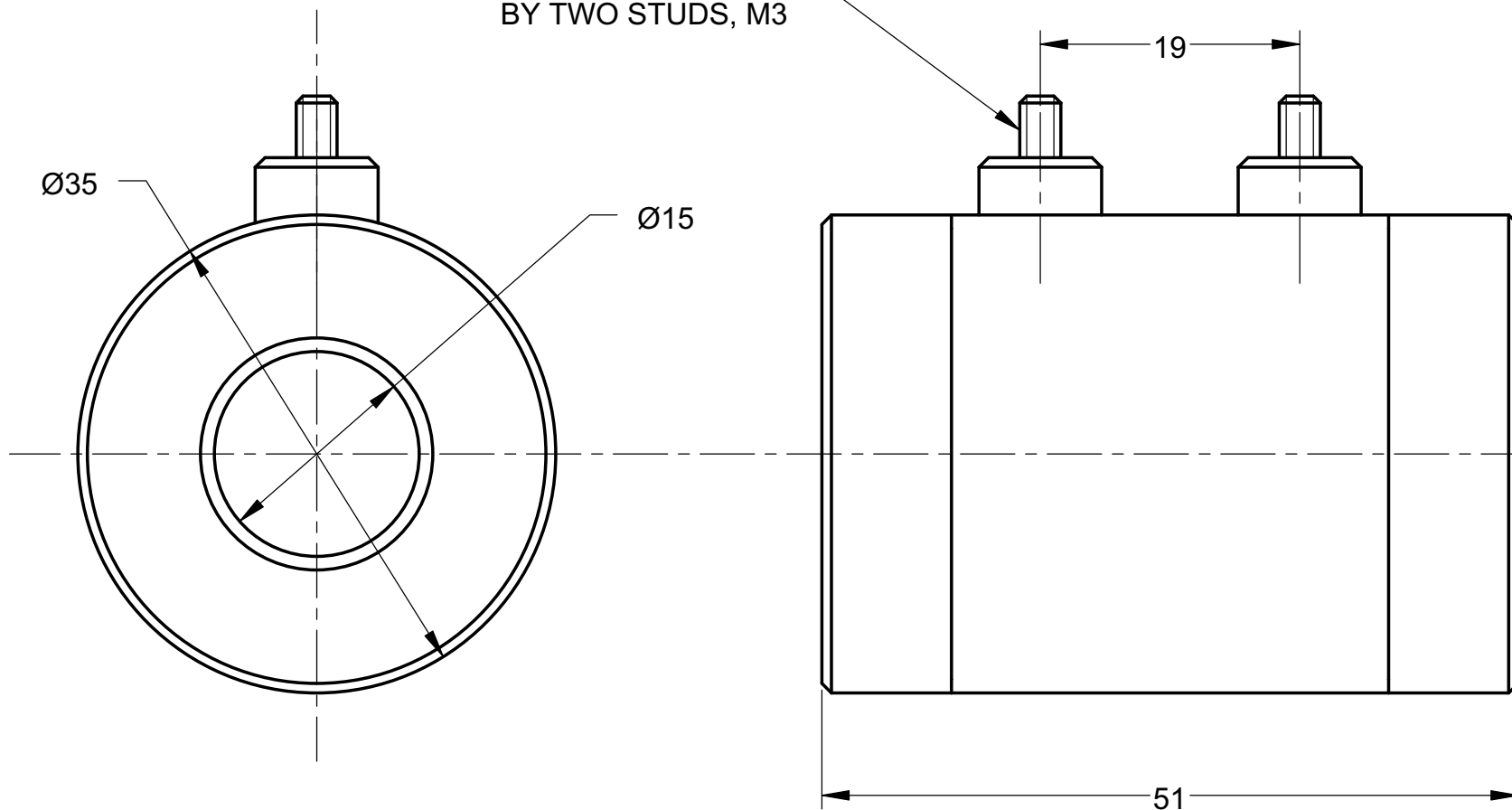


ELECTRICAL CONNECTION
BY TWO STUDS, M3



LEYSOP

EM515M INTERFACE
STUD VERSION

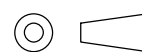
Scale
2:1

Drawn

Approved

Issue
1

Date
29/05/12



Drawing No.
348

Dims.
mm

Tolerances Unless
Otherwise Stated ±0.1